

Android Bluetooth controlled Appliances (Assembled/Unassembled)

Code: HB19

Connect this circuit to any of your home appliances (lamp, fan, radio, etc) to make the appliance turn on/off from Android mobile via Bluetooth. The system involves Microcontroller AT89c51 to get data from Bluetooth device and activate corresponding load via relay.

Our system is provided with eight channels through which for devices can be controlled. This can be extended to any number of devices.

Microcontroller used is AT89S52 form 8051 family to work in a serial communication UART mode the communication is configured on 9600bps to communicate it with the Bluetooth module.

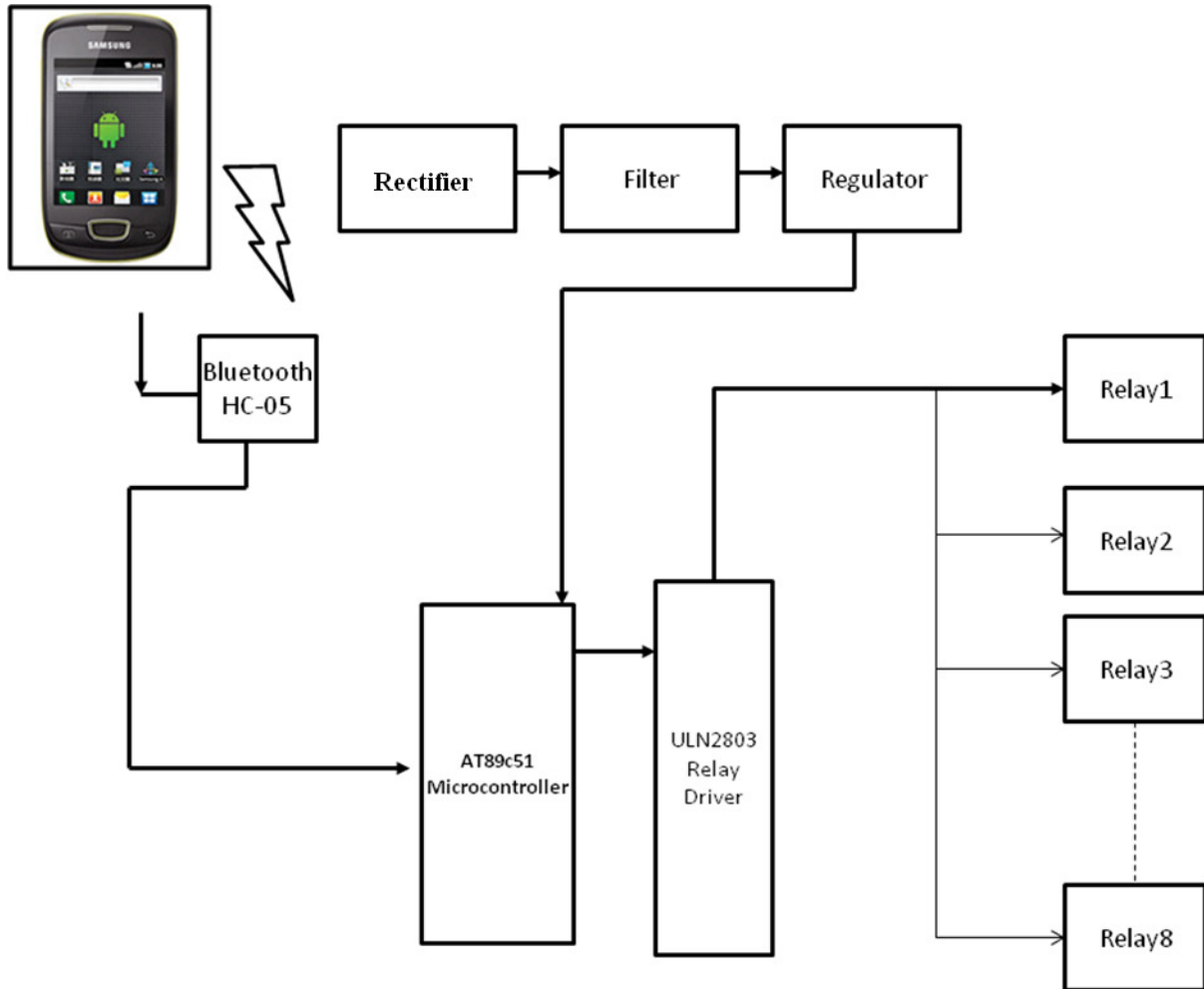
The Bluetooth module used is a HC-05 in smd package which works on a 3.3v and have a serial communication with any device connected to it the communication speed can be configured on various speed via AT Command.

The BT module is a SPP supported profile so it can be connected easily to any module or phone. In this profile the data can be sent and receive to module. The BT module is connected to the RX pin of microcontroller.

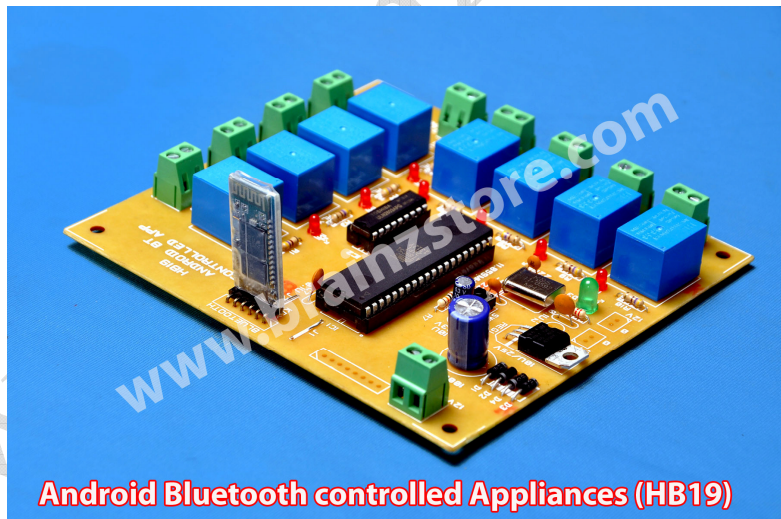
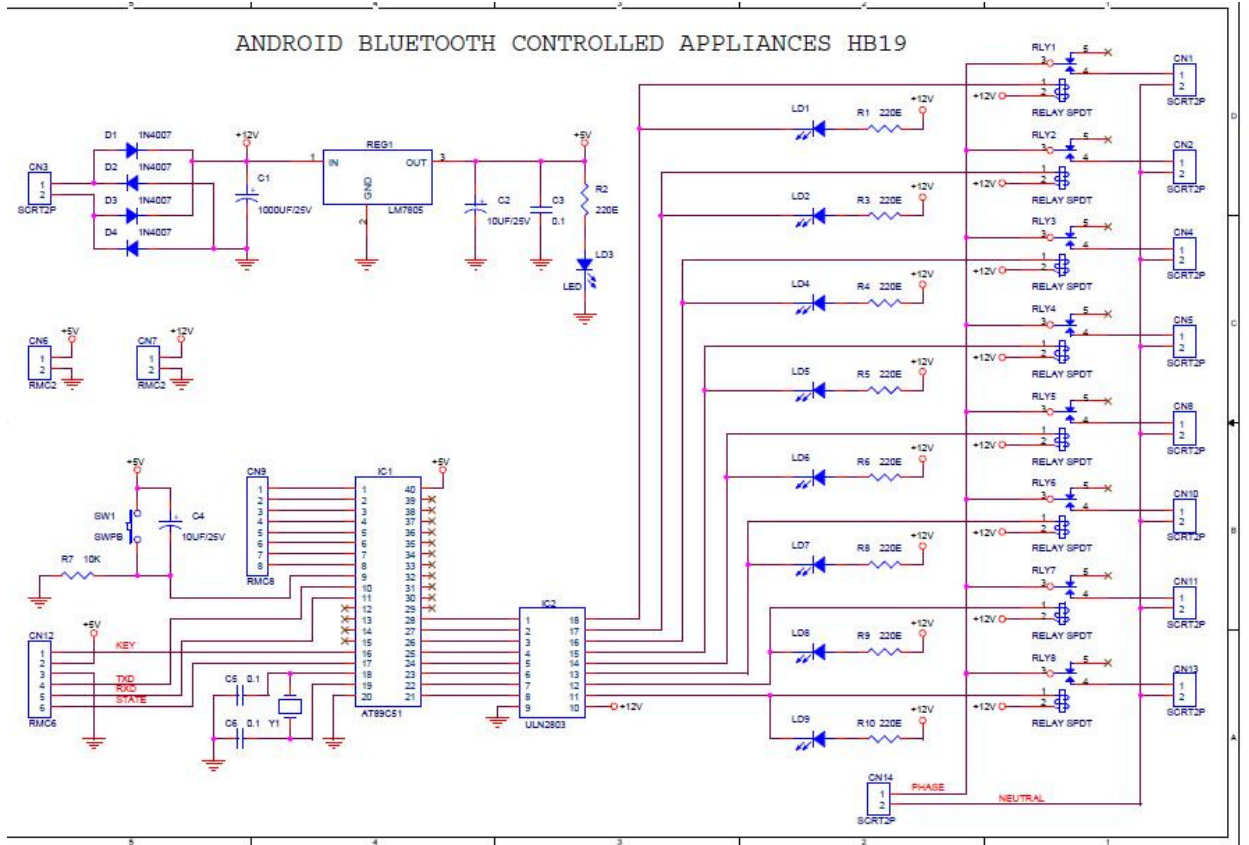
Steps:

- Install Blue Rower APK (Comes along with kit) in your Android mobile phone
- Connect the wiring, power up, while the device is not connected, the Bluetooth module board has a white LED flashing fast
- At phone side, search Bluetooth device.
- Found name called "HC-05" device
- Connect it, and password is "1234"
- While connection is ok, you can see the LED become flashing slow

For more working video, kindly log on www.brainzstore.com



Circuit Diagram:



***** Caution Apply 12 AC via 12V Step down transformer

***** Caution Take special care while handling 220v AC voltage

Size:

12 * 13 Cm

APPLICATIONS

- This system can be used in industrial applications
- This system reduces human efforts and makes life a bit easy without compromising on the efficiency of appliances.
- Using this system one can also save time.

ADVANTAGES

- Portable and easy to use.
- Simple in construction.
- Easy to maintain and repair.
- Efficient and low cost design.
- Low power consumption.
- Power of Android

Package Include:

- Project kit with eight relays of 7 Amps Each
- Android APK